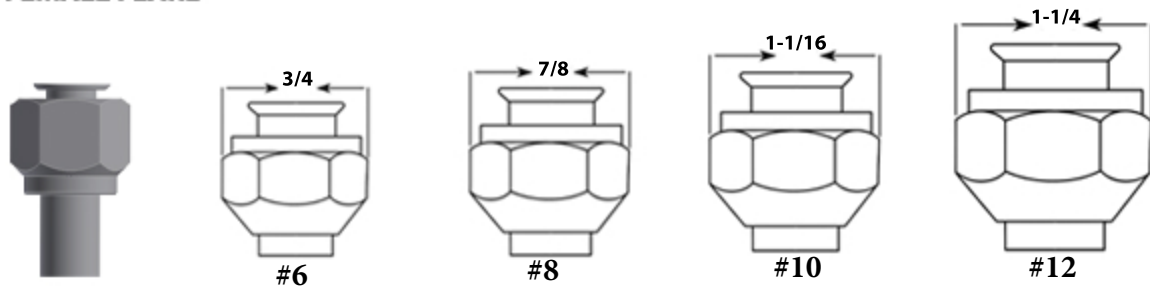


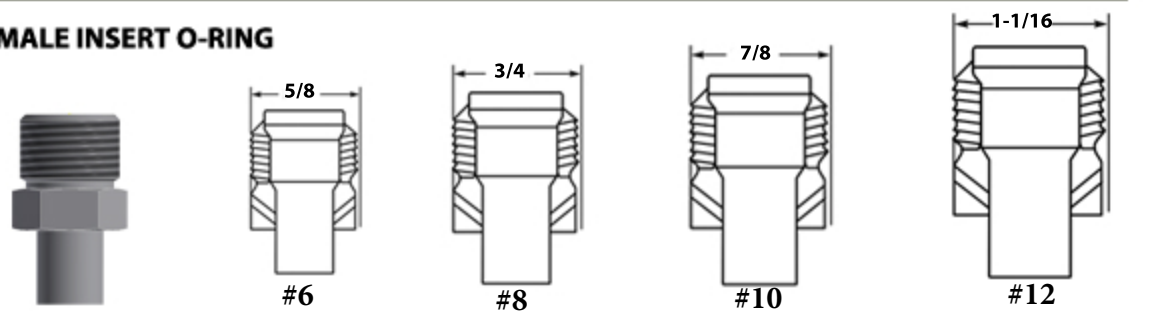
DETERMINING FITTING STYLE AND SIZE

Trying to figure out fitting styles and sizes can be stressful. Below are some common styles and sizes. To determine what size you need, you can use a wrench or calipers to measure the size of the "NUT". Match that size to the size on the chart to determine what size you require.

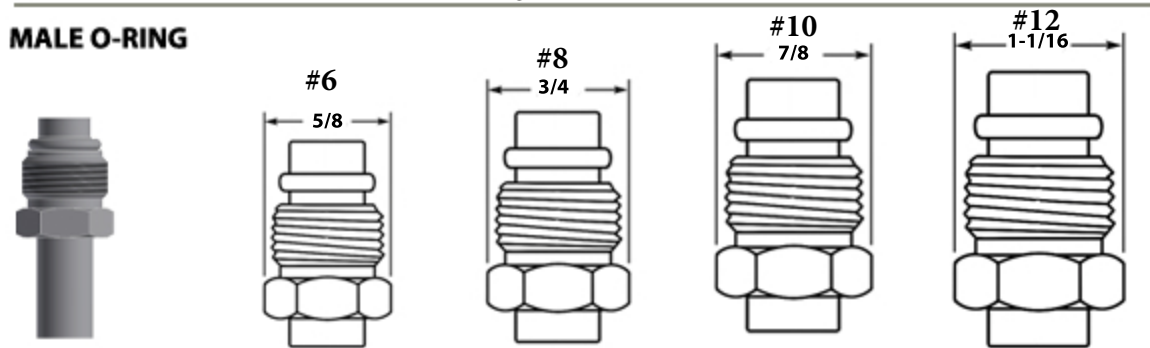
FEMALE FLARE



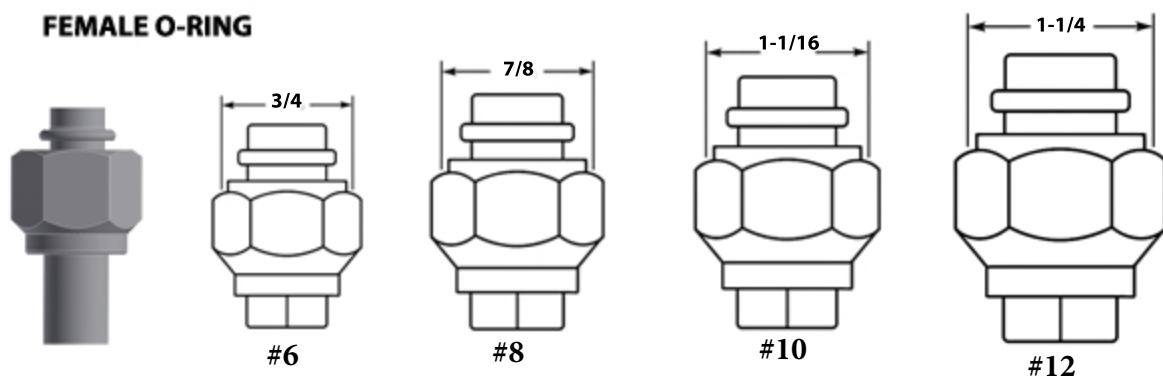
MALE INSERT O-RING



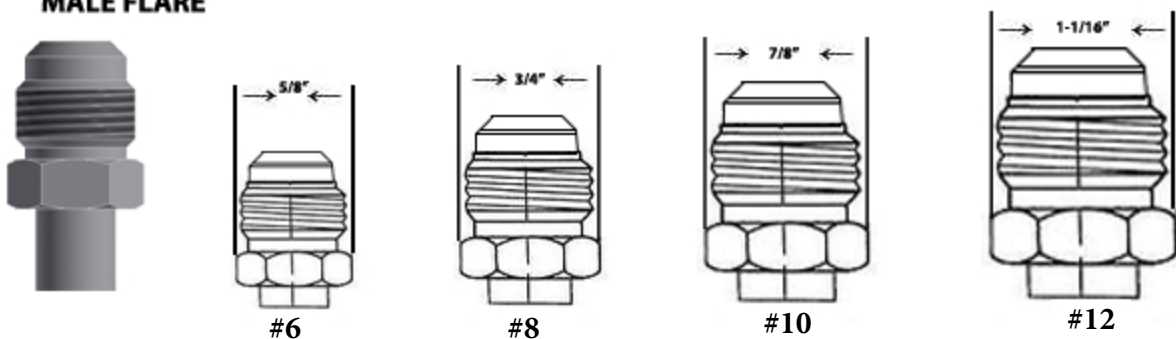
MALE O-RING



FEMALE O-RING



MALE FLARE



The fittings below require measuring of the openings and/or tubes. This is best done with a pair of calipers

MALE SPRING LOCK

FEMALE SPRING LOCK

PAD FITTING

