

PRODUCT SPECIFICATIONS

Exact replacement for the Ford Bronco tailgate window lift.
 Operating Voltage: 12 V systems
 Reversing power and ground for operation
 Power Consumption: 6 amp based on lifting 36" wide partition
 Lift Capacity: 45 lbs.
 Travel length: 13"
 Weight: 12 lbs

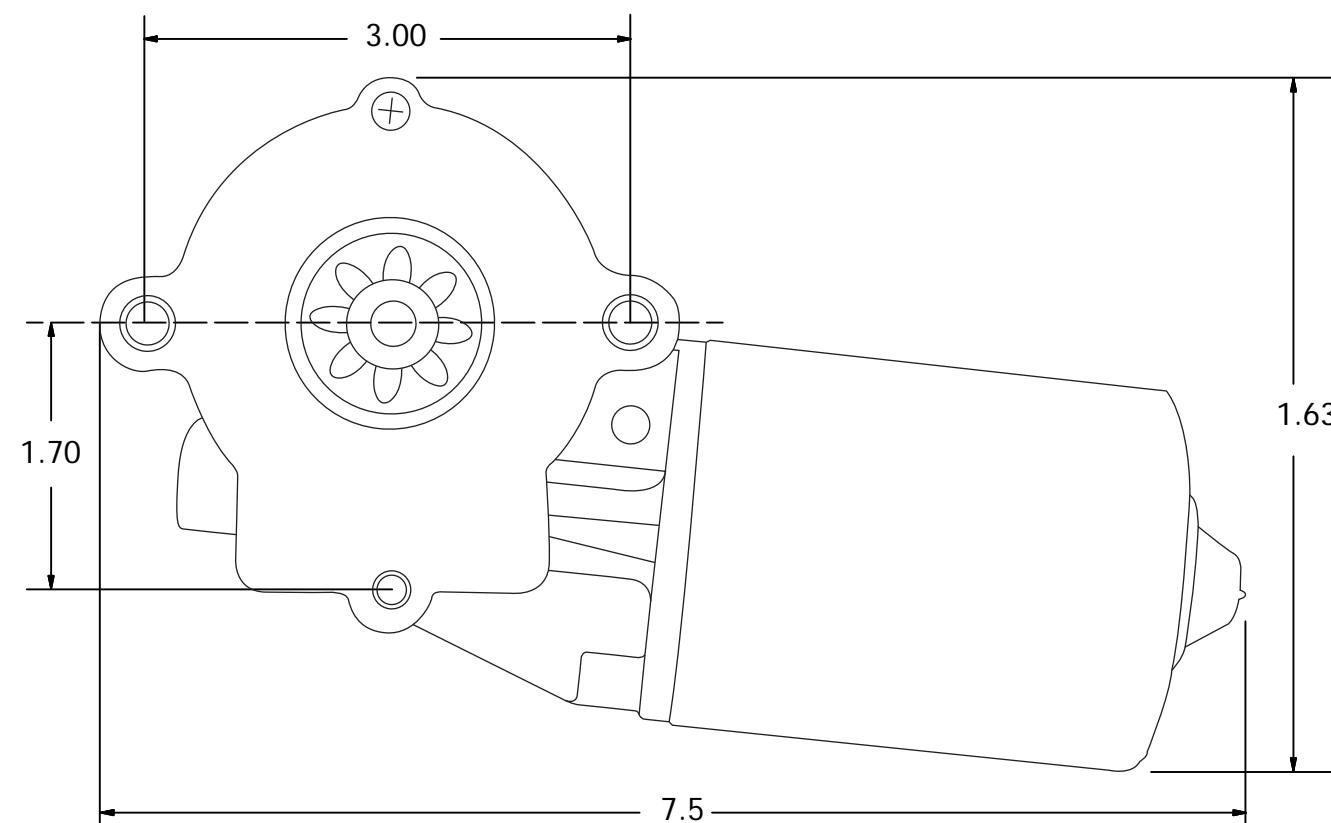
INSTALLATION

Requires 4 bolts to mount the regulator. Recommended to use at least 1/4" bolts with lock washers or thread locker. Wiring circuit must be relayed or a high amperage reversing switch used.

MOTOR SPECIFICATIONS

Motor Performance Parameters (13.5 V)	
No-load Current	≤ 2A
No-load Speed	71-91 r/min
Rated load	4.5 N.m
Rated Current	≤ 13A
Rated Speed	44-56 r/min
Stall Torque	≥ 8.1n.m
Stall Current	≤ 35A

Output Shaft Parameters	
Module (m)	≤ 2.117
Number of teeth (Z)	9
Pressure angle (α)	20°
Outer diameter {da}	23.8
Wk {two teeth}	10.05



DRAWN John Matlack	11/15/2016	Infinite Innovations		
CHECKED		TITLE		
QA		Gear Drive Regulator Part #INP008		
MATERIAL		SIZE C	DWG NO inp009	REV
APPROVED		SCALE	SHEET 1 OF 1	
TOLERANCE				