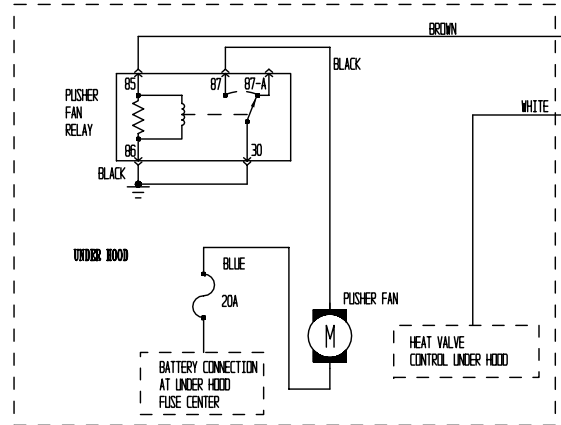
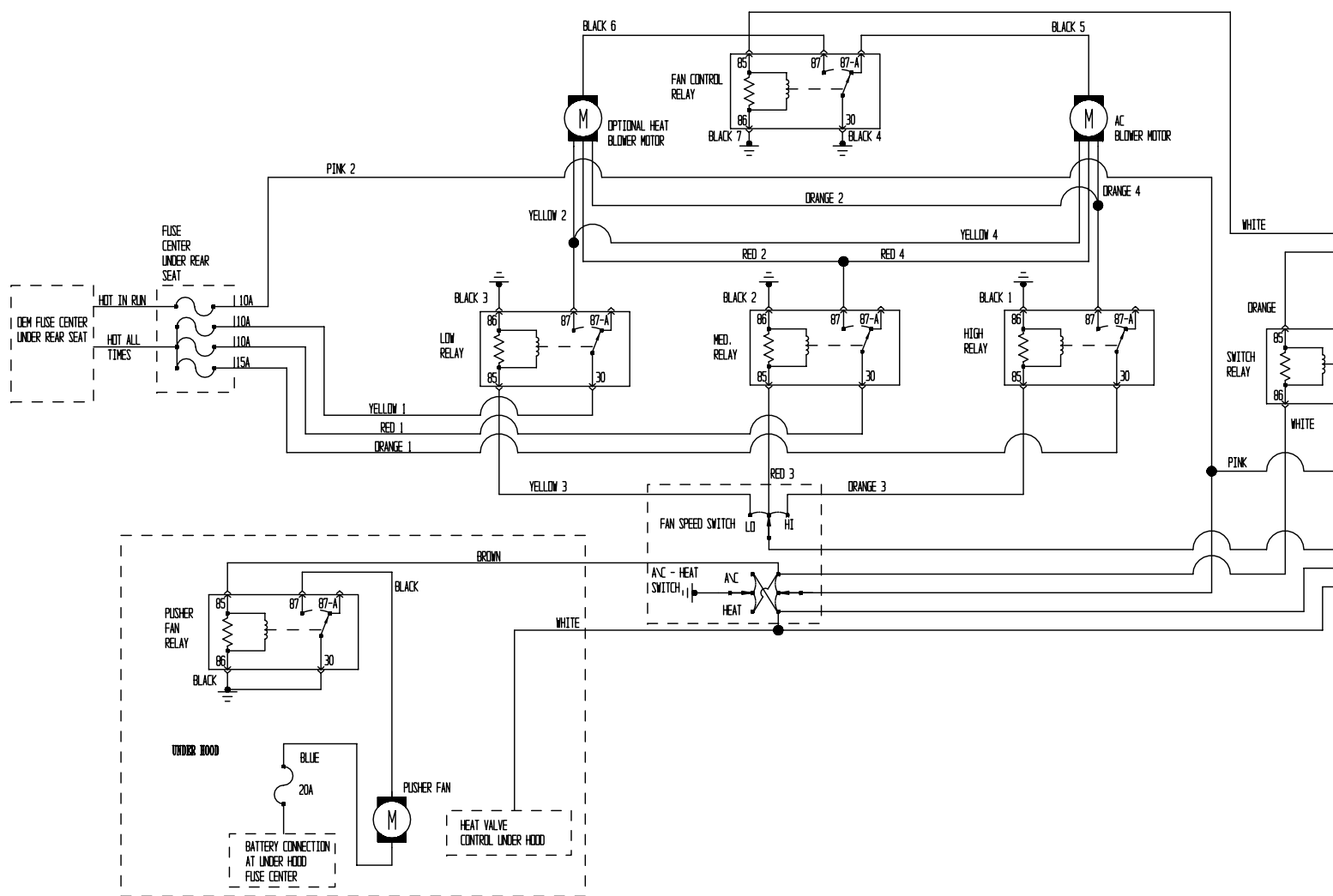


SYM.	REVISION RECORD	DATE	DR.	CK.	APP.



NO. **L024455** C

NOTE: OPTIONAL HEAT BLOWER MOTOR AND FAN CONTROL RELAY USED ON CADILLAC MODELS ONLY.

ELECTRICAL SYMBOLS			
			 PARTIAL COMPONENT COMPONENT OR IT'S WIRING IS NOT SHOWN IN IT'S ENTIRETY
FLUSE	CHASSIS GROUND	SPLICE	
SINGLE POLE DOUBLE THROW RELAY	SWITCH	MOTOR	

REMARKS										
REDUCED COPY TO SHIP WITH VEHICLE										
QTY. OF FASTENERS: *					FASTENER PART #: *					
FRAME	SUB FINAL	TRIM SHOP	WELD	BOLT	NUT	WASHER	SCREW	RIVET	ADHESIVE	
INSTALLATION AREA					INSTALLATION FASTENING METHOD					
*	*			*				*		
NEW PART	CHANGE RECD	USE	REWORK	SCRAP	AT ONCE	NEXT RUN	NEXT BUY	CEPO	NEW MODEL	
PATTERN					STOCK DISPOSITION			EFFECTIVE		
REVISION CHANGE SYM: *					PART QTY. PER CAR: 1					
FIRST USED					DR: M. DUNBAR			DATE 3/26/04		
OPTION 1003					SCALE CK.			DATE		
FINISH *					FULL APVD.			DATE		
MATERIAL SPEC. X					STOCK SIZE *					
NAME										
SCHEMATIC-MANEX UNDER SEAT AC WITH HEAT										
EOR480B					PART NO. L024455 C					