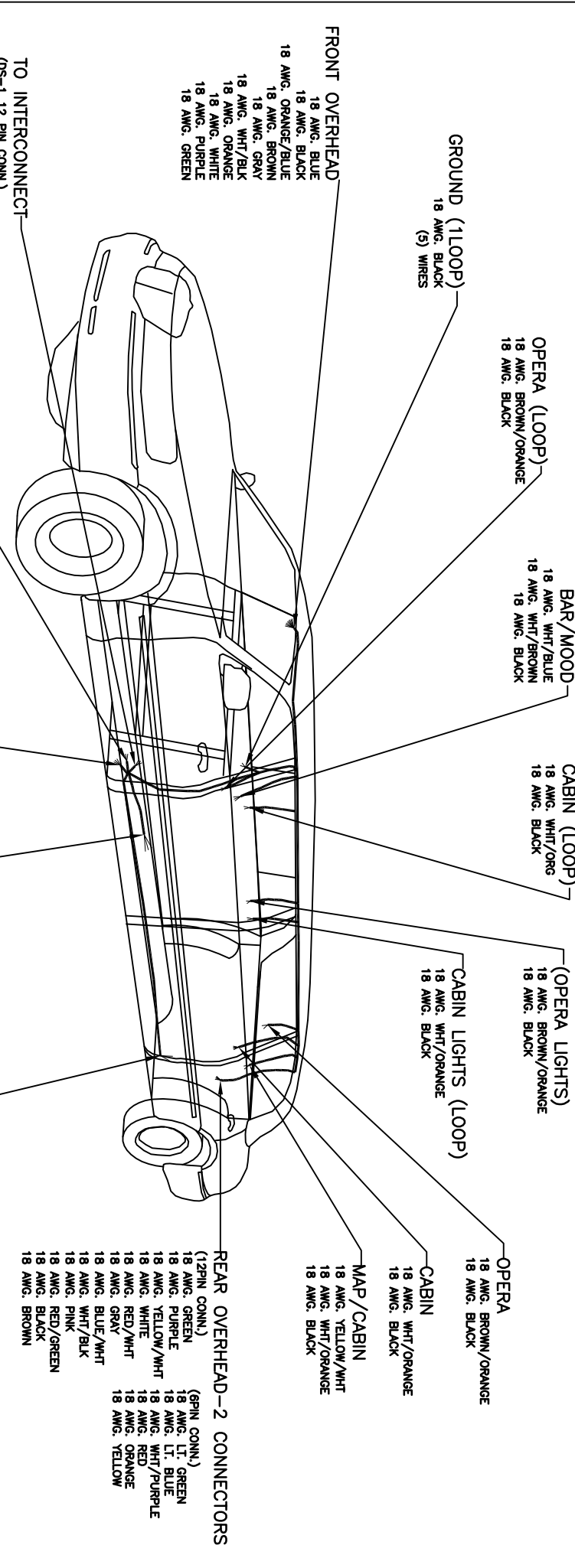


THE INFORMATION CONTAINED ON THIS DRAWING IS PROPRIETARY. IT IS ISSUED FOR EXHAUSTIVE USE ONLY AND IS NOT TO BE REPRODUCED OR TRANSMITTED IN ANY FORM OR BY ANY MEANS WITHOUT THE WRITTEN PERMISSION OF KRISTAL ENTERPRISES, INC. PARTS OR TOOLS MANUFACTURED TO MEET THE REQUIREMENTS OF THIS DRAWING MAY NOT BE USED BY OR SOLD TO ANYONE WITHOUT THE WRITTEN PERMISSION OF KRISTAL ENTERPRISES.

REV	DESCRIPTION	DATE	APP'D
N/C	NEW DRAWING RELEASE	10-28-01	



FRONT OVERHEAD
 18 AWG. BLUE
 18 AWG. BLACK
 18 AWG. ORANGE/BLUE
 18 AWG. BROWN
 18 AWG. GRAY
 18 AWG. WHT/BLK
 18 AWG. ORANGE
 18 AWG. WHITE
 18 AWG. PURPLE
 18 AWG. GREEN

GROUND (1 LOOP)
 18 AWG. BLACK
 (5) WIRES

OPERA (LOOP)
 18 AWG. BROWN/ORANGE
 18 AWG. BLACK

BAR/MOOD
 18 AWG. WHT/BLUE
 18 AWG. WHT/BROWN
 18 AWG. BLACK

CABIN (LOOP)
 18 AWG. WHT/ORG
 18 AWG. BLACK

(OPERA LIGHTS)
 18 AWG. BROWN/ORANGE
 18 AWG. BLACK

CABIN LIGHTS (LOOP)
 18 AWG. WHT/ORANGE
 18 AWG. BLACK

CABIN
 18 AWG. WHT/ORANGE
 18 AWG. BLACK

MAP/CABIN
 18 AWG. YELLOW/WHT
 18 AWG. WHT/ORANGE
 18 AWG. BLACK

REAR OVERHEAD-2 CONNECTORS
 (12PIN CONN.)
 18 AWG. GREEN
 18 AWG. PURPLE
 18 AWG. YELLOW/WHT
 18 AWG. WHITE
 18 AWG. RED/WHT
 18 AWG. GRAY
 18 AWG. BLUE/WHT
 18 AWG. WHT/BLK
 18 AWG. WHT/ORG
 18 AWG. RED/GREEN
 18 AWG. BLACK
 18 AWG. BROWN

(8PIN CONN.)
 18 AWG. LT. GREEN
 18 AWG. LT. BLUE
 18 AWG. WHT/PURPLE
 18 AWG. RED
 18 AWG. ORANGE
 18 AWG. YELLOW

DOOR/CABIN
 18 AWG. WHT/RED
 18 AWG. WHT/ORANGE

TO INTERCONNECT
 (DS-1 12 PIN CONN.)
 18 AWG. WHT/BLUE (2)
 18 AWG. BLUE (2)
 18 AWG. PURPLE (2)
 18 AWG. GREEN (2)
 18 AWG. GRAY (2)
 18 AWG. WHITE (2)

TO INTERCONNECT
 (DS-2 12-PIN CONN.)
 18 AWG. LT. GREEN
 18 AWG. RED/GREEN
 18 AWG. RED/BLK
 18 AWG. WHT/PURPLE
 18 AWG. BLUE/WHT
 18 AWG. LT. BLUE
 18 AWG. PINK
 18 AWG. ORANGE
 18 AWG. BLK/WHT
 18 AWG. RED/WHT
 18 AWG. ORANGE
 18 AWG. WHT/RED

TO INTERCONNECT
 (DS-3 12-PIN CONN.)
 18 AWG. WHT/BLUE
 18 AWG. BROWN/ORANGE
 18 AWG. WHITE (2)
 18 AWG. BROWN (2)
 18 AWG. YELLOW/WHT
 18 AWG. RED/WHT
 18 AWG. ORANGE
 18 AWG. WHT/RED

TO INTERCONNECT
 (DS-4 3PIN CONN.)
 18 AWG. ORANGE/BLUE
 18 AWG. BROWN/WHT.

NOTES: UNLESS OTHERWISE SPECIFIED

<p>1. TITLE</p> <p>2. PART OR IDENTIFICATION NO.</p> <p>3. QUANTITY</p> <p>4. UNIT</p> <p>5. MATERIALS</p> <p>6. FINISH</p> <p>7. TOLERANCES</p> <p>8. DIMENSIONS</p> <p>9. SURFACE TREATMENT</p> <p>10. SPECIAL INSTRUCTIONS</p> <p>11. PARTS LIST</p> <p>12. REVISIONS</p> <p>13. DATE</p> <p>14. DRAWN BY</p> <p>15. CHECKED BY</p> <p>16. APPROVED BY</p> <p>17. DATE</p> <p>18. SCALE</p> <p>19. SHEET NO.</p> <p>20. TOTAL SHEETS</p>	
<p>XX-XXXX</p> <p>ACCESSORY HARNESS</p> <p>120 LWB 2001</p> <p>1/20</p> <p>19/1</p>	