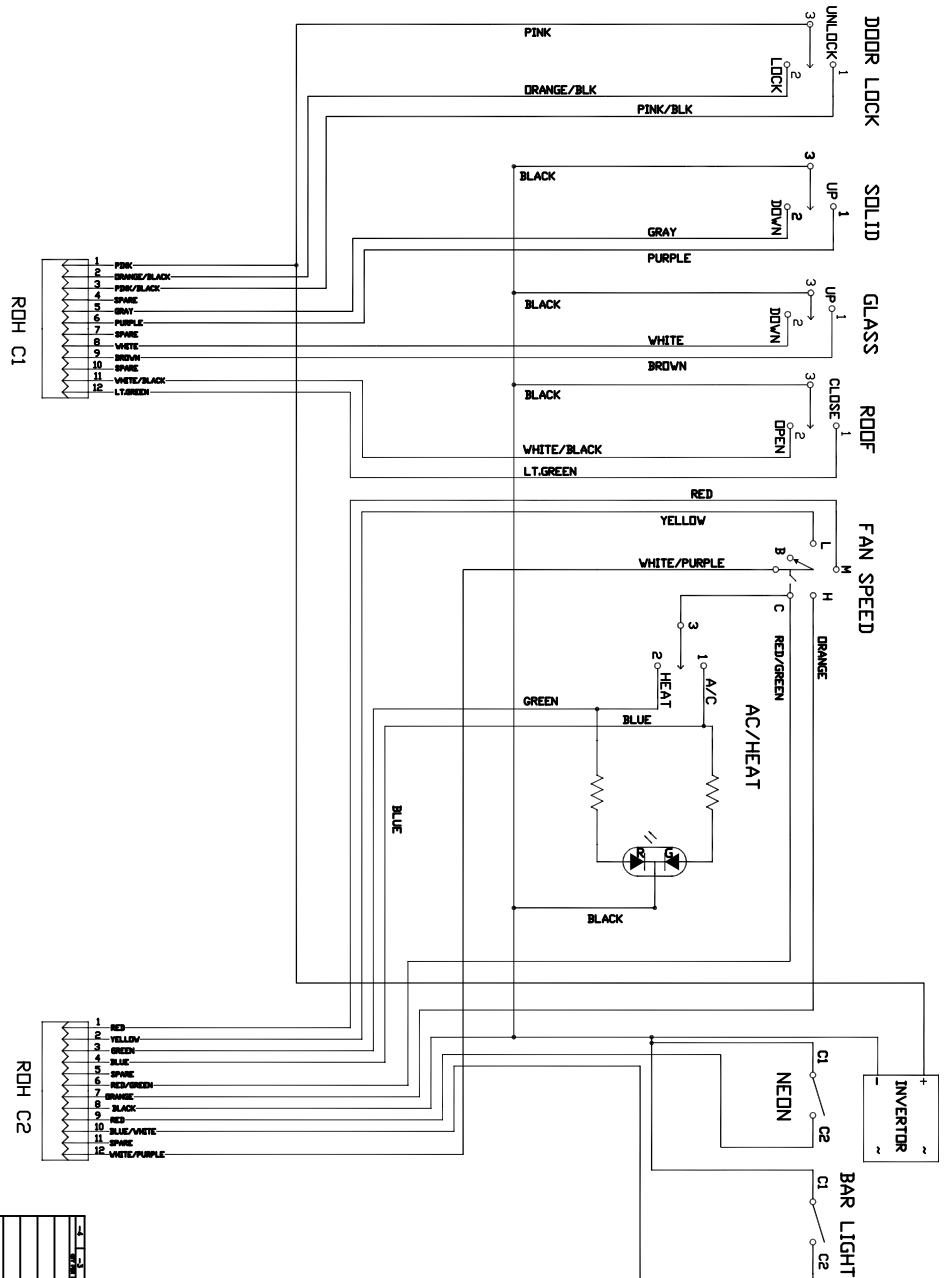


THE INFORMATION DISCLOSED ON THIS DRAWING IS PROPRIETARY. IT IS ISSUED FOR ENGINEERING USE ONLY AND MAY NOT BE REPRODUCED OR RESOLD, IN WHOLE OR IN PART, TO ANYONE WITHOUT THE WRITTEN PERMISSION OF KRISTAL ENTERPRISES. THE REQUIREMENTS OF THIS DRAWING MAY NOT BE USED BY OR SOLD TO ANYONE WITHOUT THE DIRECT WRITTEN PERMISSION OF KRISTAL ENTERPRISES.



| REVISIONS |                     |         |
|-----------|---------------------|---------|
| REV       | DESCRIPTION         | DATE    |
| N/C       | NEW DRAWING RELEASE | N/XX/XX |

13-733  
N/C

|    |              |                            |
|----|--------------|----------------------------|
| 1  | PINK         | 12V SWITCHED POWER         |
| 2  | ORANGE/BLACK | TRIGGER DOOR (LOCK)        |
| 3  | PINK/BLACK   | TRIGGER DOOR (UNLOCK)      |
| 4  | SPARE        |                            |
| 5  | GRAY         | SOLID TRIGGER (DOWN)       |
| 6  | PURPLE       | SOLID TRIGGER (UP)         |
| 7  | SPARE        |                            |
| 8  | WHITE        | GLASS TRIGGER (DOWN)       |
| 9  | BROWN        | GLASS TRIGGER (UP)         |
| 10 | SPARE        |                            |
| 11 | WHITE/BLACK  | ROOF TRIGGER (OPEN)        |
| 12 | LT. GREEN    | ROOF TRIGGER (CLOSED)      |
| 13 | RED          | FAN SPEED TRIGGER (MEDIUM) |
| 14 | YELLOW       | FAN SPEED TRIGGER (LOW)    |
| 15 | GREEN        | 12V HEATER SOLINOID VALVE  |
| 16 | BLUE         | AC FREON VALVE (TRIGGER)   |
| 17 | SPARE        |                            |
| 18 | RED/GREEN    | BLOWER RELAY COMMON        |
| 19 | ORANGE       | FAN SPEED (HIGH)           |
| 20 | BLACK        | GROUND                     |
| 21 | RED/WHITE    | FIBEROPTIC NEON (TRIGGER)  |
| 22 | BLUE/WHITE   | BAR LIGHT (TRIGGER)        |
| 23 | SPARE        | XX-XXXX XXXXXXXXXX         |
| 24 | WHITE/PURPLE | FAN SWITCH 12V             |

DO NOT SCALE THIS DRAWING. DIMENSIONS ARE TO BE TAKEN FROM THE DRAWING. DIMENSIONS TO BE TAKEN FROM THE DRAWING. DIMENSIONS TO BE TAKEN FROM THE DRAWING.

LIST OF MATERIALS

| ITEM NO. | DESCRIPTION | QTY | UNIT |
|----------|-------------|-----|------|
| 1        | ...         | ... | ...  |
| 2        | ...         | ... | ...  |
| 3        | ...         | ... | ...  |
| 4        | ...         | ... | ...  |
| 5        | ...         | ... | ...  |
| 6        | ...         | ... | ...  |
| 7        | ...         | ... | ...  |
| 8        | ...         | ... | ...  |
| 9        | ...         | ... | ...  |
| 10       | ...         | ... | ...  |
| 11       | ...         | ... | ...  |
| 12       | ...         | ... | ...  |
| 13       | ...         | ... | ...  |
| 14       | ...         | ... | ...  |
| 15       | ...         | ... | ...  |
| 16       | ...         | ... | ...  |
| 17       | ...         | ... | ...  |
| 18       | ...         | ... | ...  |
| 19       | ...         | ... | ...  |
| 20       | ...         | ... | ...  |
| 21       | ...         | ... | ...  |
| 22       | ...         | ... | ...  |
| 23       | ...         | ... | ...  |
| 24       | ...         | ... | ...  |

DATE: 09/29/01  
SCALE: 1/1

KRISTAL ENTERPRISES  
3701 E. HERRING HIGHWAY  
SHERMAN, CA 92821

REAR OVERHEAD

NOTES: ALL WIRES ARE 18 AWG UNLESS OTHERWISE NOTED.