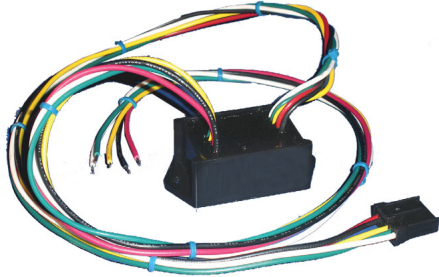


Heater Control Valve

CONTROL MODULE

Designed for Modulating 2-Port & Modulating 4-Port Valves



FEATURES

- EASY INSTALLATION
- SMALL PROFILE — SIMPLE TO MOUNT
- PROVIDES A WIDE RANGE OF CONTROL
- SEALED CONTROL MODULE
- OPERATING TEMPERATURE RANGE
-40°F to 180°F (-40°C to 82°C)

DESCRIPTION

Thermotion introduces its new ECCIII Control Module (with Harness).

This advanced Control Module interfaces between 2-Port (354-69492 3/4", 354-69493 5/8") and 4-Port (354-69494 5/8") Modulating Heater Control Valves and a 10 K Ω potentiometer (354-69530).

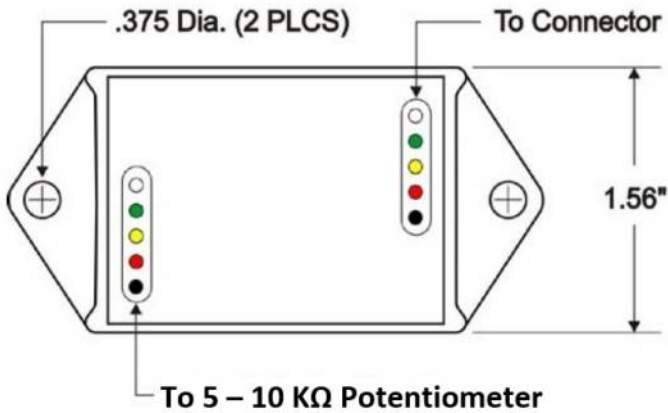
This Control Module provides precise control for the user, allowing for a wide range of control.

Standard model 354-69515 is designed for a command and feedback (5-10 K Ω) potentiometer to run on supply voltages of 12VDC through 24VDC.

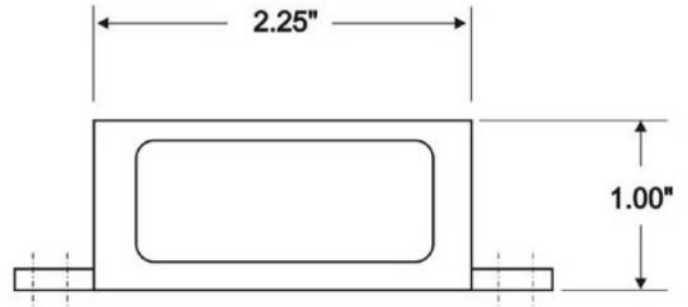
Custom model 354-69500 is designed for a command and feedback (5-10 K Ω) potentiometer to run on a reference supply voltage supplied by the user.

Heater Control Valves

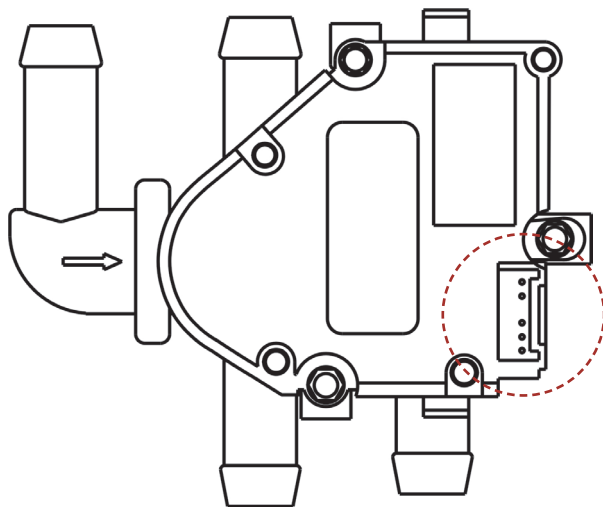
TOP VIEW



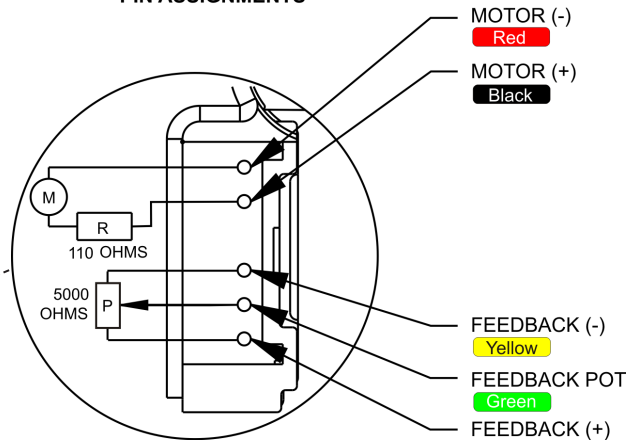
FRONT VIEW



* Maximum operating current = 300 milliamps @ 12 VDC or 600 milliamps @ 24 VDC



PIN ASSIGNMENTS



MATING CONNECTOR: P/N 354-65001
CONNECTOR PINS (5) P/N 354-65000
20/22 Gauge Wire

| P/N | DESCRIPTION |
|-----------|---|
| 354-65002 | WIRE HARNESS (2ft LEADS) |
| 354-69492 | 2-PORT 3/4" (19mm) |
| 354-69493 | 2-PORT 5/8" (16mm) |
| 354-69494 | 4-PORT 5/8" (16mm) |
| 354-69500 | CONTROL MODULE RUNS ON USER SUPPLIED REF. VOLTAGE |
| 354-69515 | CONTROL MODULE WITH WIRE |
| 354-69530 | 10 KΩ POTENTIOMETER & KNOB |

